

# BOSCH

YOUR LIFE. OUR INSPIRATION.

## THE BOSCH FULL SIZE FRONT-LOADING WASHER AND VENTLESS DRYER STACK

**ELECTRICAL REQUIREMENTS:** 208/240-VOLT SINGLE PHASE, SEPARATE 30-AMP CIRCUIT. WASHER PLUGS INTO REAR OF DRYER SO ONLY ONE 4-PRONG 220-VOLT PLUG REQUIRED. PLUG SHOULD BE LOCATED NO MORE THAN 39" FROM LEFT SIDE OF MACHINE OR 49" FROM RIGHT SIDE OF MACHINE.

**WATER CONNECTION:** STANDARD 3/4" HOSE THREAD CONNECTIONS WITH STANDARD 1/2" WATER SUPPLY. WATER PRESSURE SHOULD BE BETWEEN 4.5 AND 145 PSI. OVER 145 PSI REQUIRES INSTALLATION OF A PRESSURE REDUCING DEVICE. SHOULD BE LOCATED NO MORE THAN 56 1/2" FROM LEFT SIDE OF WASHER OR 39" FROM RIGHT SIDE OF WASHER.

**DRAIN REQUIREMENTS:** FOR BEST DRAINAGE DRAIN HOSE FROM WASHER AND DRYER SHOULD BE INSTALLED FROM 23" TO 43" FROM BOTTOM OF MACHINE. DRAIN SHOULD BE LOCATED NO MORE THAN 35" FROM LEFT SIDE OF MACHINE OR 48 3/4" FROM RIGHT SIDE OF MACHINE. CONDENSATE DRAIN HOSE FROM DRYER MUST BE DRAINED INTO SAME DRAIN AS WASHER.

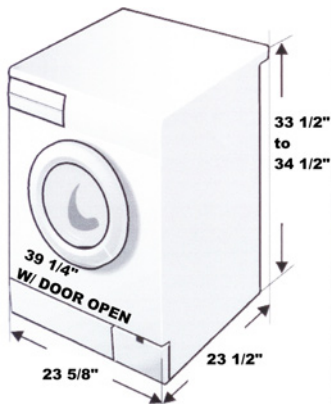
**WASTEWATER:** 6 GALLONS PER MINUTE DISCHARGE RATE.

**LEVELING:** MACHINE IS FITTED WITH FOUR ADJUSTABLE LEVELING LEGS AND SHOULD BE INSTALLED ON A WELL SUPPORTED FLOOR. ALLOWABLE SLOPE UNDER ENTIRE MACHINE IS 1". DO NOT INSTALL ON CARPETING OR PADS.

**CLEARANCE REQUIREMENTS:** IF CONNECTIONS ARE DIRECTLY BEHIND MACHINE ALLOW 1" ON EACH SIDE AND 2" TO REAR. IF CONNECTIONS ARE ON SIDE OF MACHINE ALLOW 2-3" OF CLEARANCE ON SIDES FOR HOSES. FOR CLOSETS, NO SOLID DOORS DUE TO VENTILATION REQUIREMENTS AND A MINIMUM OF 5" OF CLEARANCE IS REQUIRED IN REAR OF MACHINE.

**DIMENSIONS:** 23 5/8" WIDE x 23 1/2" DEEP x 67 TO 69" TALL. (40 1/4" DEEP WITH DRYER DOOR FULLY OPEN, 39 1/4" DEEP WITH WASHER DOOR FULLY OPEN) .

**WEIGHT:** WASHER - 152 LBS. , DRYER - 99 LBS., STACKING KIT - 10 LBS.



**WASHER**

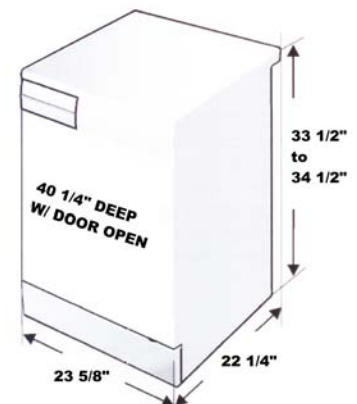
**WARNING:** ALL FOUR SHIPPING BOLTS MUST BE REMOVED FROM WASHER PRIOR TO OPERATION OR SERIOUS DAMAGE MAY OCCUR.

**WASHER**

DRAIN HOSE LENGTH - 48"  
WATER INLET HOSES - 54"  
POWER CORD LENGTH - 60"

**DRYER**

CONDENSATE DRAIN HOSE—80"  
OUTER DIAMETER -1/2"  
INNER DIAMETER - 1/4"  
POWER CORD - 60"



**DRYER**



FOR MORE INFORMATION OR HELP PLEASE SEE THE MACHINE'S OWNER'S MANUAL, VISIT US AT [www.OasisAppliance.com](http://www.OasisAppliance.com), OR CALL US AT **888.876.8002** (TOLL FREE)

© 2004 OASIS APPLIANCE CORP.

